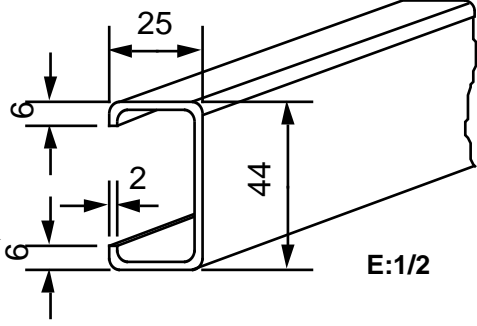
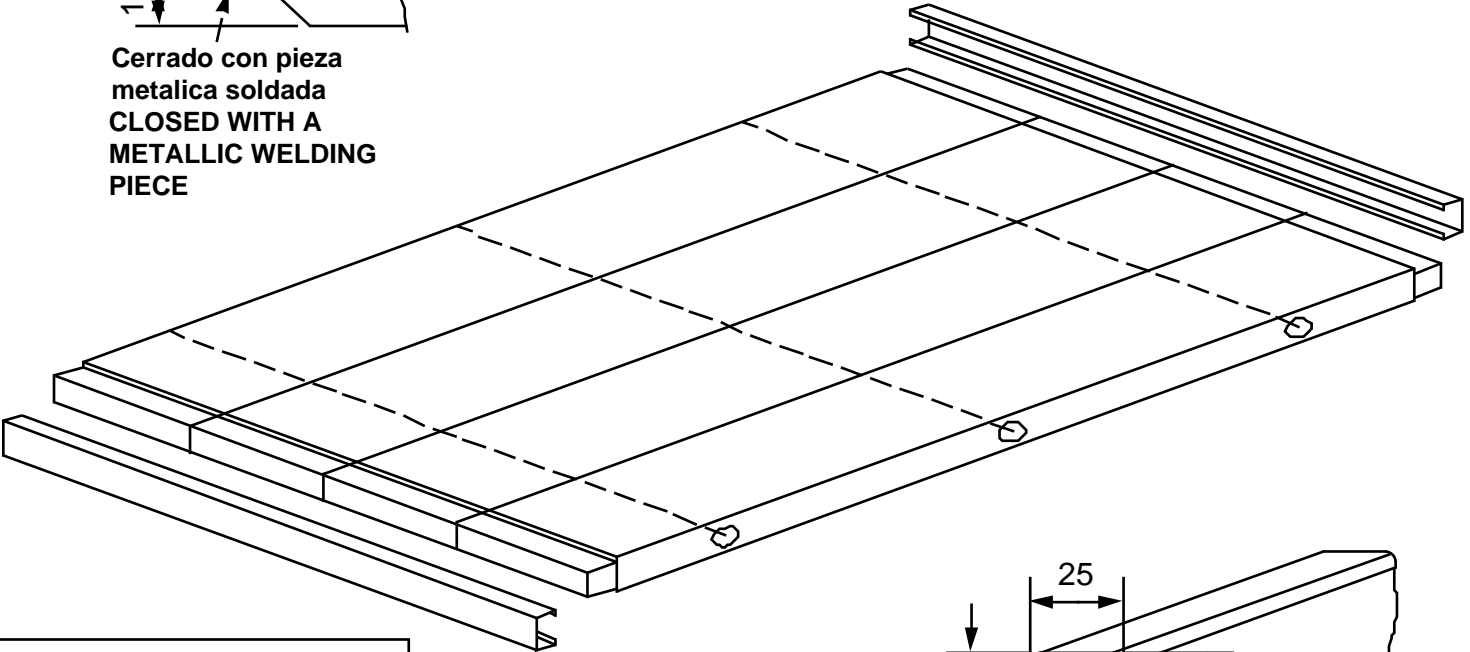


Cerrado con pieza  
metalica soldada  
CLOSED WITH A  
METALLIC WELDING  
PIECE



Refuerzo metalico  
METALLIC REINFORCEMENT

CONFIRMATION:

DATE:.....

1	PLANOL ASOCIAT
2	TOL. GENER.
3	Planol. Substitueix
4	A
5	
6	

	NOM	DATA
Elaborat:	Guillem Solé	19-07-2005
Aprovat:	Sandra Boniquet	19-07-2005
escala	1/10	
TRAYS MEASURE		

ROMETA

Polg. Industrial -Ronda les Conques 21/26  
Telf: 820 8181 MOIA  
820 8231  
Fax: 820 8213

17D-1/2P-222

003,804