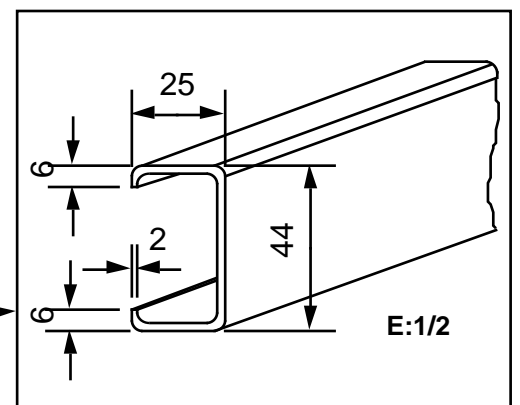


Refuerzo metalico
METALLIC REINFORCEMENT



CONFIRMATION:								
DATE:.....	1	PLANOL ASOCIAT		NOM	DATA	ROMETA Polg. Industrial -Ronda les Conques 21/26 Telf: 820 8181 MOIA 820 8231 Fax: 820 8213 17D-1/2P-222		
	2	TOL. GENER.		Elaborat:	Guillem Solé			10/05/2007
	3	Planol. Substitueix		Aprovat:				
	4	A		escala	MEDIDAS BANDEJA TRAYS MEASURE		003,821	
	5			1/10				
	6							